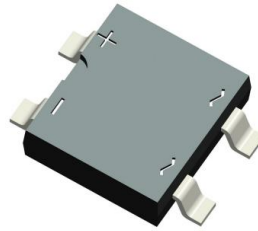


# HBS Packing information

B136, Rev. -

## 1. Finish Goods PKG photo



## 2. Packing method



Label

Reel



Label



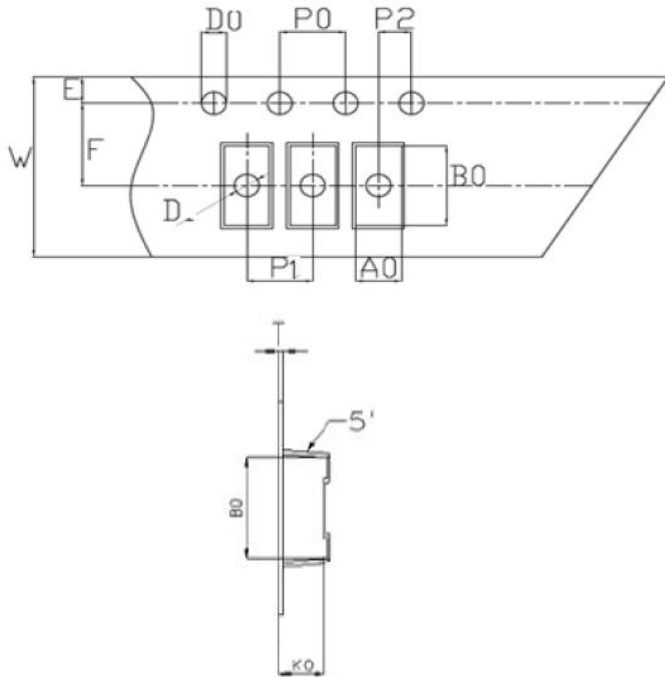
Outer box

**Fig.1- Reel pack for HBS**

**Table 1. Packing information**

Package version	Reel dimensions φ(mm)	Pcs/reel (pcs)	Inner box Size(mm) L×W×H	Reels Inner box	Inner box weight (Kg)	Pcs/Outer box (pcs)	Outer box Size(mm) L×W×H	Pcs/ Outer box weight (Kg)
HBS	Φ330*18.4	2500	345*345*30	1	1.646	20K	-	13.5

3. Carrier tape dimensions



Symbol	MBS
A0	5.02±0.1
B0	7.22±0.1
D0	1.55±0.05
D1	1.5±0.1
P0	4.0±0.1
P1	8.0±0.1
P2	2±0.05
E	1.75±0.1
K0	2.88±0.1
F	5.5±0.05
W	12 ±0.1
T	0.27±0.03
10P0	40.00±0.2
抗拉力	≥3KG

Fig 3. Carrier tape dimensions

4. Reel dimensions

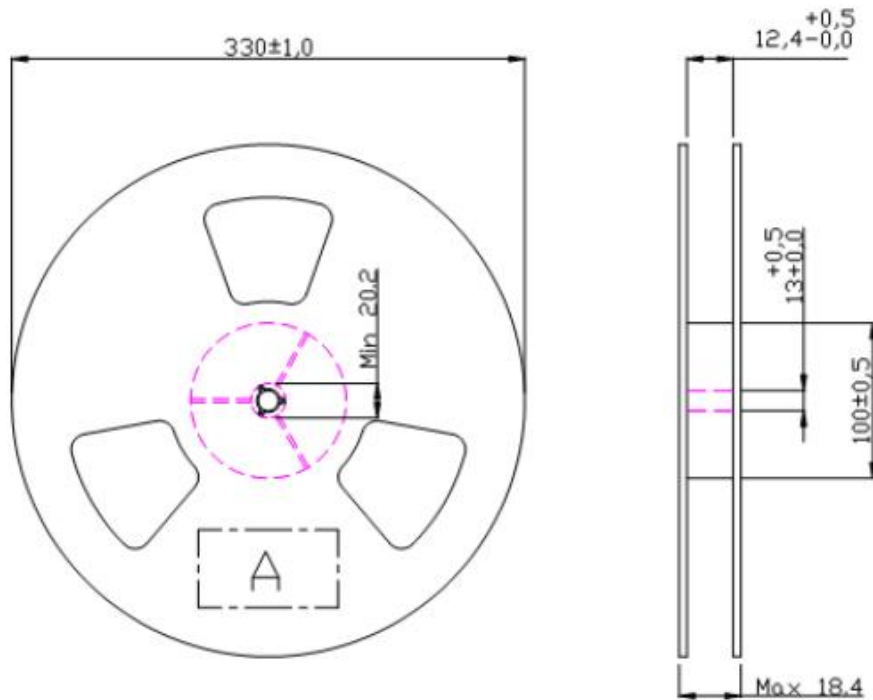


Fig 4. Reel dimensions